

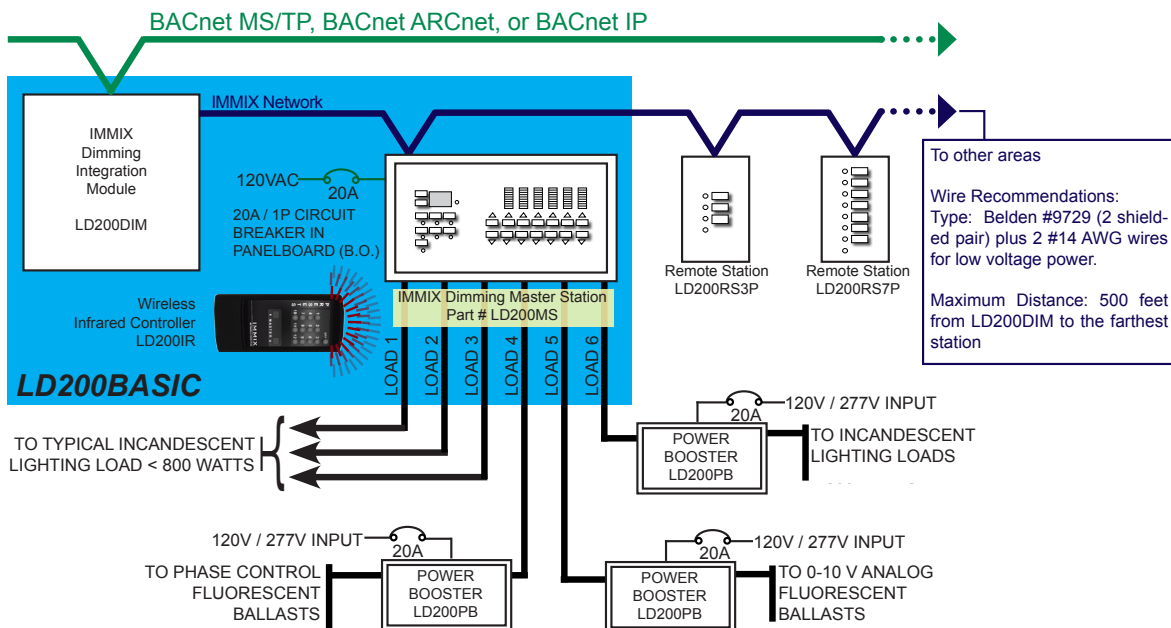
## Overview

### Dimming Integration Module

A key element of the IMMIX Dimming System is the Dimming Integration Module, Part # LD200DIM. The Dimming Integration Module features BACnet integration for BACnet IP, BACnet ARCnet (156K), or BACnet MS/TP. The BACnet Building Automation System is able to activate presets manually or from a schedule, obtain preset status for each area, or lock preset commands, Master Stations, or Remote Stations for each area.



## Sample System Architecture



## Ordering Information

Catalog #	Description
LD200DIM-B	IMMIX Dimming Integration Module configured for BACnet protocol
LD200DIM-M	IMMIX Dimming Integration Module configured for Modbus protocol
LD200DIM-N	IMMIX Dimming Integration Module configured for N2 Open protocol

### Specifications:

#### Electrical

BACnet support:	Conforms to the BACnet Building Controller (B-BC) Standard Device as defined in BACnet 135-2001 Annex L (BACnet Listed Components)
Communication	The following ports are available: <ul style="list-style-type: none"> <li>• 10/100Base-T Ethernet RJ-45 port for BACnet/IP network</li> <li>• ARCNET 156</li> <li>• EIA-232/EIA-485 configurable port for MS/TP</li> </ul>
Microprocessor	32-bit Motorola Power PC microprocessor with cache memory, Fast Ethernet controller, high performance 32-bit communication coprocessor and ARCNET communication coprocessor.
Memory	16 MByte non-volatile battery-backed SDRAM, 8 MByte Flash memory, 32-bit memory bus. (Battery shelf life is 10 years with 720 hours of continuous operation)
Real-time Clock	Battery-backed real-time clock.
Status Indicators	LED Status indicators for EIA-232/485 communication, Ethernet port communication, and low battery status. Seven segment status display for running, error, and power status
Module Addressing	Rotary dip switches for intuitive network addressing of modules
Protection	Built-in surge and transient protection circuitry for power and communications
Power requirements	120 VAC $\pm$ 10%, 50 / 60 Hz

#### Mechanical

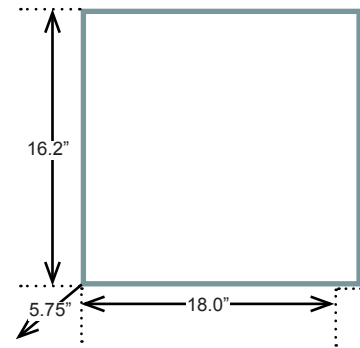
Enclosure Dimensions	18.0"W x 16.2"H x 5.75"D
Enclosure Type	NEMA 1
Shipping Weight	Approximately 25 lbs.

#### Environmental

Operating Temperature	-20°F to 140°F (-29°C to 60°C)
Operating Humidity	10 to 90% relative humidity, non-condensing

#### Certificates

UL Listed	UL 508
-----------	--------



#### BACnet Points

				Analog Value (AV)		Meaning	
				0		OFF	
Preset Area 1	AV:1	Lock Presets Area 1	BV:1	Lock Remotes Area 1	BV:17	1	Preset 1
Preset Area 2	AV:2	Lock Presets Area 2	BV:2	Lock Remotes Area 2	BV:18	2	Preset 2
Preset Area 3	AV:3	Lock Presets Area 3	BV:3	Lock Remotes Area 3	BV:19	3	Preset 3
Preset Area 4	AV:4	Lock Presets Area 4	BV:4	Lock Remotes Area 4	BV:20	4	Preset 4
Preset Area 5	AV:5	Lock Presets Area 5	BV:5	Lock Remotes Area 5	BV:21	5	Preset 5
Preset Area 6	AV:6	Lock Presets Area 6	BV:6	Lock Remotes Area 6	BV:22	6	Preset 6
Preset Area 7	AV:7	Lock Presets Area 7	BV:7	Lock Remotes Area 7	BV:23	7	Preset 7
Preset Area 8	AV:8	Lock Presets Area 8	BV:8	Lock Remotes Area 8	BV:24	8	Preset 8
						9	Preset 9
Preset Status Area 1	AV:9	Lock Master Area 1	BV:9			10	Preset 10
Preset Status Area 2	AV:10	Lock Master Area 2	BV:10			11	Preset 11
Preset Status Area 3	AV:11	Lock Master Area 3	BV:11			12	Preset 12
Preset Status Area 4	AV:12	Lock Master Area 4	BV:12			13	Preset 13
Preset Status Area 5	AV:13	Lock Master Area 5	BV:13			14	Preset 14
Preset Status Area 6	AV:14	Lock Master Area 6	BV:14			15	Preset 15
Preset Status Area 7	AV:15	Lock Master Area 7	BV:15			16	Preset 16
Preset Status Area 8	AV:16	Lock Master Area 8	BV:16			17	Preset 17
						18	Preset 18
						19	Do Nothing
						20	ON